

SUBMITTAL DATA SHEET



**GAS/ELECTRIC & ELECTRIC/ELECTRIC
SINGLE PACKAGE AIR CONDITIONERS**

**MODELS: ZD-03, -04 & -05
ZS-03, -04, -05 & -A6**

JOB NAME:		LOCATION:		
PURCHASER:		ORDER NO:		
ENGINEER:				
SUBMITTED TO:	FOR:	REF:	APPROVAL:	CONSTRUCTION:
SUBMITTED BY:		DATE:		
UNIT DESIGNATION:		SCHEDULE NO.	MODEL NO.	

COOLING PERFORMANCE

TOTAL CAPACITY----- MBH
 SENSIBLE CAPACITY ----- MBH
 OUTDOOR DESIGN TMP. _____ °F DB/WB
 TOTAL SUPPLY AIR ----- CFM
 TEMP. OF AIR ENTERING
 EVAPORATOR COIL ----- °F
 POWER INPUT REQ. ----- KW
 (LESS BLOWER MOTOR)

HEATING PERFORMANCE

ELECTRIC HEAT ----- KW
 GAS-FIRED INPUT-CAP. ----- MBH

SUPPLY AIR BLOWER PERFORMANCE

TOTAL SUPPLY AIR ----- CFM
 EXT. STATIC PRESS. ----- IWG
 BLOWER SPEED----- RPM
 POWER OUTPUT REQ. ----- BHP
 MOTOR RATING ----- HP
 POWER INPUT REQ. ----- KW

ELECTRICAL DATA

POWER SUPPLY -----
 TOTAL UNIT AMPACITY ----- AMPS
 MAX. OVERCURRENT DEVICE
 ___ FUSE ___ BREAKER ----- AMPS

TOTAL UNIT WEIGHT

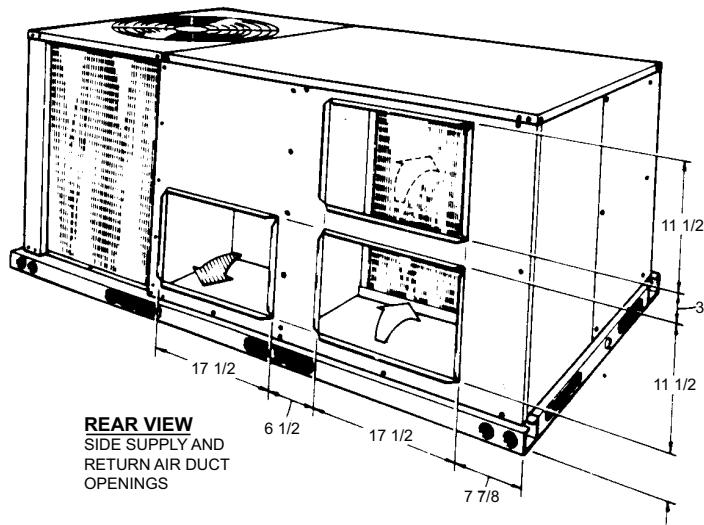
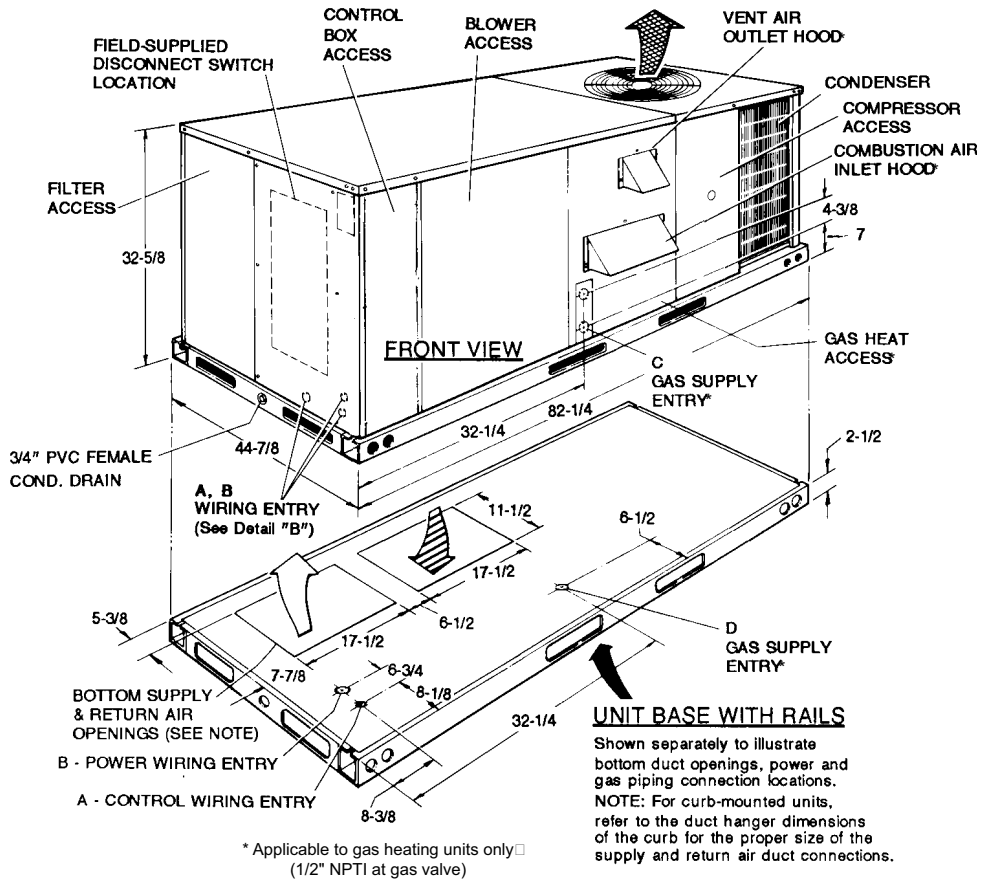
INCLUDING FACTORY- INSTALLED
 OPTIONS----- LBS

FACTORY INSTALLED OPTIONS

- OUTDOOR DRY BULB SENSOR ECONOMIZERS -----
- MOTORIZED OUTDOOR AIR INTAKE DAMPER -----
- PHENOLIC COATED EVAPORATOR COILS -----
- PHENOLIC COATED CONDENSER COILS -----
- E-COAT EVAPORATOR COILS -----
- E-COAT CONDENSER COILS -----
- ELECTRIC HEATERS-----
- FILTER (2" PLEATED FILTERS, MERV 7) -----
- POWERED CONVENIENCE OUTLET -----
- NON-POWERED CONVENIENCE OUTLET -----
- DISCONNECT SWITCH -----
- BAS - (BUILDING AUTOMATION SYSTEMS)-----
- Simplicity® Smart Equipment (SSE) w/Communication -----
- BACnet MS/TP (programmable to Modbus or N2 protocols) -----
- Honeywell™ -----
- Novar® -----
- CPC -----
- SMOKE DETECTOR (RETURN) -----
- SMOKE DETECTOR (SUPPLY)-----
- COIL GUARD-----
- STAINLESS STEEL HEAT EXCHANGER-----
- STAINLESS STEEL DRAIN PAN -----
- BAS READY ECONOMIZER (2-10 V.D.C. ACTUATOR WITHOUT
A CONTROLLER)-----
- AIR PROVING SWITCH -----
- PHASE MONITOR -----
- BELT DRIVE -----
- BELT DRIVE (HIGH STATIC) -----
- DIRECT DRIVE -----
- DIRTY FILTER SWITCH -----
- HINGED TOOLLESS FILTER, MOTOR AND ELECTRICAL ACCESS
PANELS -----

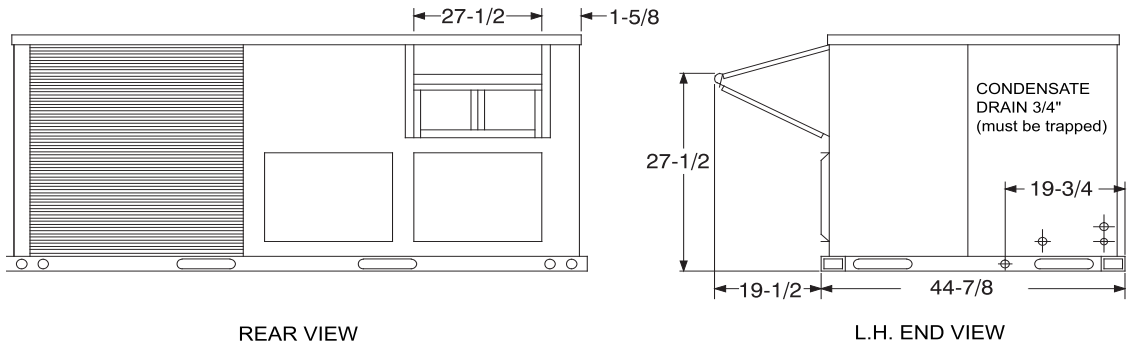
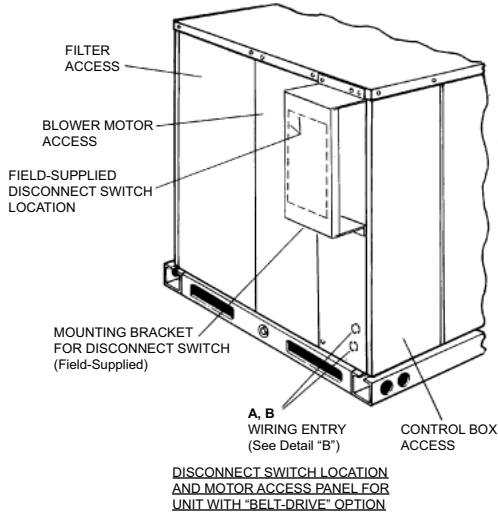
FIELD INSTALLED ACCESSORIES

- ENTHALPY ACCESSORY CONTROL KIT (SINGLE OR DUAL)-----
- MOTORIZED OUTDOOR AIR INTAKE DAMPER -----
- ROOF CURBS -----
- HIGH ALTITUDE NATURAL GAS -----
- PROPANE CONVERSION -----
- HIGH ALTITUDE PROPANE -----
- BAROMETRIC RELIEF DAMPER -----
- BURGLAR BARS -----
- FLUE EXHAUST EXTENSION KIT-----
- CO2 SENSOR, UNIT MOUNT -----
- CO2 SENSOR, SPACE MOUNT -----
- DIRTY FILTER SWITCH -----
- AIR PROVING SWITCH -----
- POWER EXHAUST-----
- ELECTRIC HEAT -----
- LOW NOx KIT -----
- COIL GUARDS-----
- HAIL GUARDS-----
- LOW AMBIENT KIT (Except 6 Ton Cooling Only with & without Electric Heat) -
- GAS PIPING KIT -----
- WALL MOUNT TEMPERATURE SENSOR -----
- WALL MOUNT TEMPERATURE SENSOR WITH OVERRIDE -----
- WALL MOUNT TEMPERATURE SENSOR WITH
OVERRIDE & SET POINT ADJ. -----
- HUMIDITY SENSOR-----

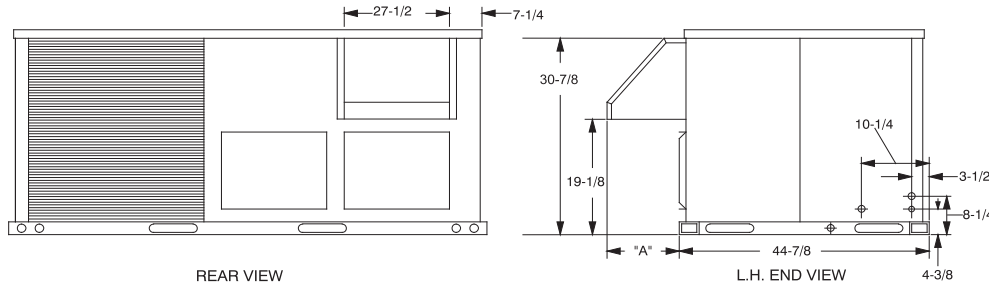


UTILITIES ENTRY DATA

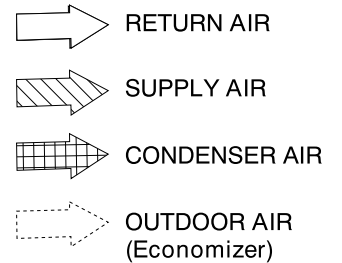
HOLE	KNOCKOUT SIZE (DIA.)	USED FOR
A	7/8"	Control Wiring (Side or Bottom)
B	2"	Power Wiring (Side or Bottom)
C	1-5/8"	Gas Piping (Front)
D	1-1/2"	Gas Piping (Bottom)



DETAIL "A"
UNIT WITH ECONOMIZER RAINHOOD



DETAIL "B"
UNIT WITH FIXED OUTDOOR AIR/MOTORIZED DAMPER RAINHOOD



DIMENSION "A"	
FIXED OUTDOOR AIR DAMPER	12
MOTORIZED DAMPER	16-1/2

MINIMUM CLEARANCES

LOCATION	CLEARANCE
Front	24" (Cooling/Electric Heat) 32" (Gas Heat)
Rear	12" (Less Economizer) 36" (With Economizer or Fixed Air/Motorized Damper)
Left Side (Filter Access)	24" (Less Economizer) 36" (With Economizer)
Right Side (Cond. Coil)	24"
Below Unit ¹	0"
Above Unit ²	72" (For Condenser Air Discharge)

1. Units may be installed on combustible floors made from wood or class A, B, or C roof covering material.
2. Units must be installed outdoors. Overhanging structures or shrubs should not obstruct condenser air discharge outlet.

NOTE: A 1" clearance must be provided between any combustible material and the supply air ductwork for a distance of 3 feet from the unit.

NOTE: The products of combustion must not be allowed to accumulate within a confined space and recirculate.

- NOTE:** Locate unit so that the vent air outlet hood is at least:
- Three (3) feet above any force air inlet located within 10 horizontal feet (excluding those integral to the unit).
 - Four (4) feet below, four horizontal feet from, or one foot above any door or gravity air inlet into the building.
 - Four (4) feet from electric and gas meters, regulators and relief equipment.

NOTE: Units and ductwork are approved for zero clearance to combustible materials when equipped with electric heaters.

NOTE: All entry holes should be field sealed to prevent rain water entry into building.

REFER TO THE TECHNICAL GUIDE FOR THE LIST OF STANDARD FEATURES

ATTACHED **NOT ATTACHED**