

SUBMITTAL DATA SHEET

**SPLIT-SYSTEM AIR CONDITIONING CONDENSING UNITS
7.5 - 25 TONS**



**MODELS: YH-07 thru -25, 2-PIPE
YJ-10 thru -20, 4-PIPE**

JOB NAME:		LOCATION:		
PURCHASER:		ORDER NO:		
ENGINEER:				
SUBMITTED TO:	FOR:	REF:	APPROVAL:	CONSTRUCTION:
SUBMITTED BY:		DATE:		
UNIT DESIGNATION:		SCHEDULE NO.	MODEL NO.	

COOLING PERFORMANCE

TOTAL CAPACITY----- MBH

OUTDOOR DESIGN TMP. °F

SUCTION PRESSURE AT SATURATION ----- PSIG

SUCTION TEMPERATURE AT SATURATION ----- °F

ELECTRICAL DATA

POWER SUPPLY ----- / /

TOTAL UNIT AMPACITY ----- AMPS

POWER INPUT REQ. ----- KW

MINIMUM WIRE SIZE ----- AWG (COPPER CONDUCTORS)

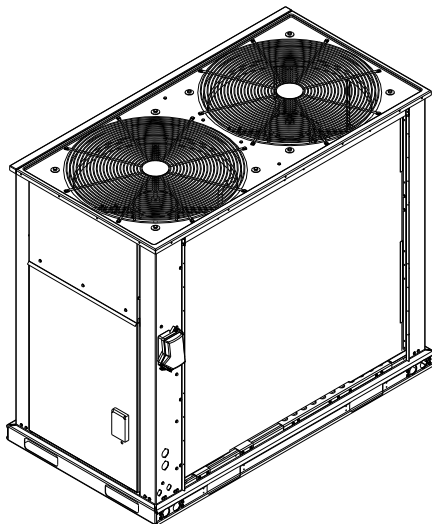
MAXIMUM FUSE SIZE ----- AMPS (DUAL ELEMENT)

UNIT WEIGHT

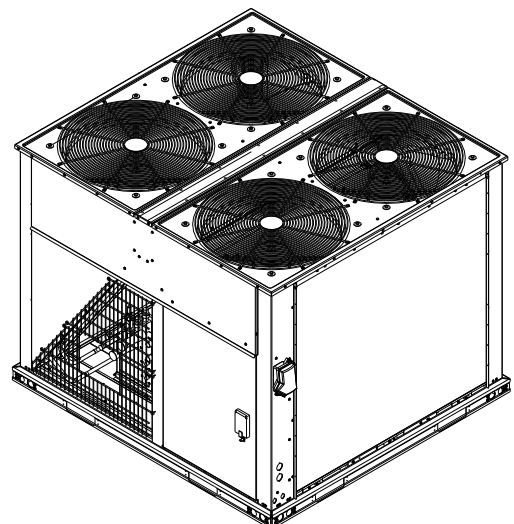
TOTAL OPERATING WEIGHT ----- LBS

FEATURES

- EXCEEDS ASHRAE 90.1-2004 / MEETS EPACT 2010 EFFICIENCY*
 - SIMPLICITY® SMART EQUIPMENT (SSE) W/COMMUNICATION BACNET MS/TP (PROGRAMMABLE TO MODBUS OR N2 PROTOCOLS)
 - R-410A REFRIGERANT
 - POWDER PAINT FOR DURABILITY
 - WEATHERIZED CASING FOR OUTDOOR USE
 - PROPELLER-TYPE CONDENSER FANS
 - INHERENTLY PROTECTED FAN MOTORS
 - HIGH AND LOW PRESSURE SAFETIES
 - SCROLL COMPRESSORS
 - CRANKCASE HEATERS
 - ALUMINUM TUBE/ALUMINUM FIN "MICROCHANNEL" COILS
 - BACKSEATING SUCTION AND LIQUID LINE SERVICE VALVES
 - SINGLE AND DUAL REFRIGERATION CIRCUITS (SINGLE ON YH AND DUAL ON YJ MODELS)
 - LOW AMBIENT TO 40°F - LOW AMBIENT AVAILABLE TO 0°F
 - PROVISIONS FOR HOT GAS BYPASS
 - CSA APPROVAL
 - ONE YEAR LIMITED PARTS WARRANTY ON COMPLETE UNIT
 - FIVE YEAR LIMITED COMPRESSOR WARRANTY
 - LIQUID LINE DRIERS (SUPPLIED FOR FIELD INSTALLATION)
 - FACTORY INSTALLED DISCONNECT OPTION
 - FACTORY INSTALLED POWERED OR NON-POWERED 120V OUTLET OPTION
 - FULL PERIMETER BASE RAIL-FORK TRUCK ACCESSIBLE
 - CRANE RIGGING PROVISIONS
- *WHEN COUPLED WITH MATCHING INDOOR UNIT**



**YH-07, YH-10, YJ-10,
YH-12, YJ-12**

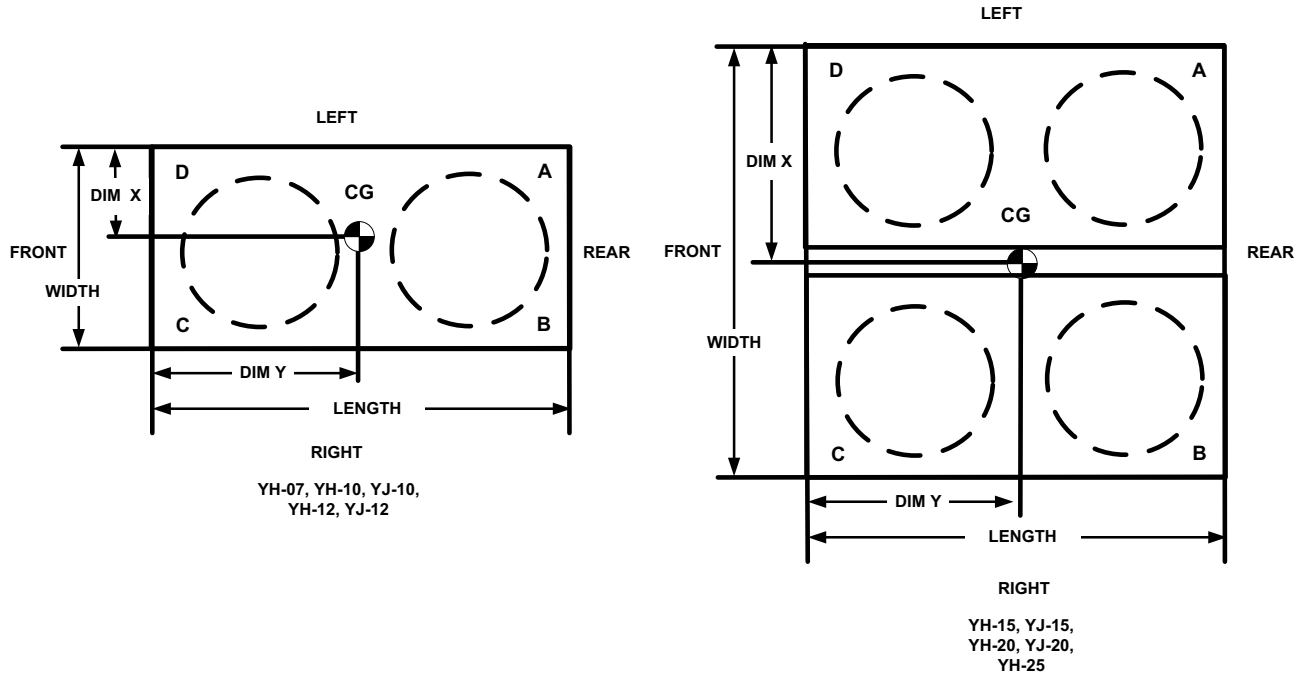


**YH-15, YJ-15,
YH-20, YJ-20,
YH-25**

WEIGHT DISTRIBUTION

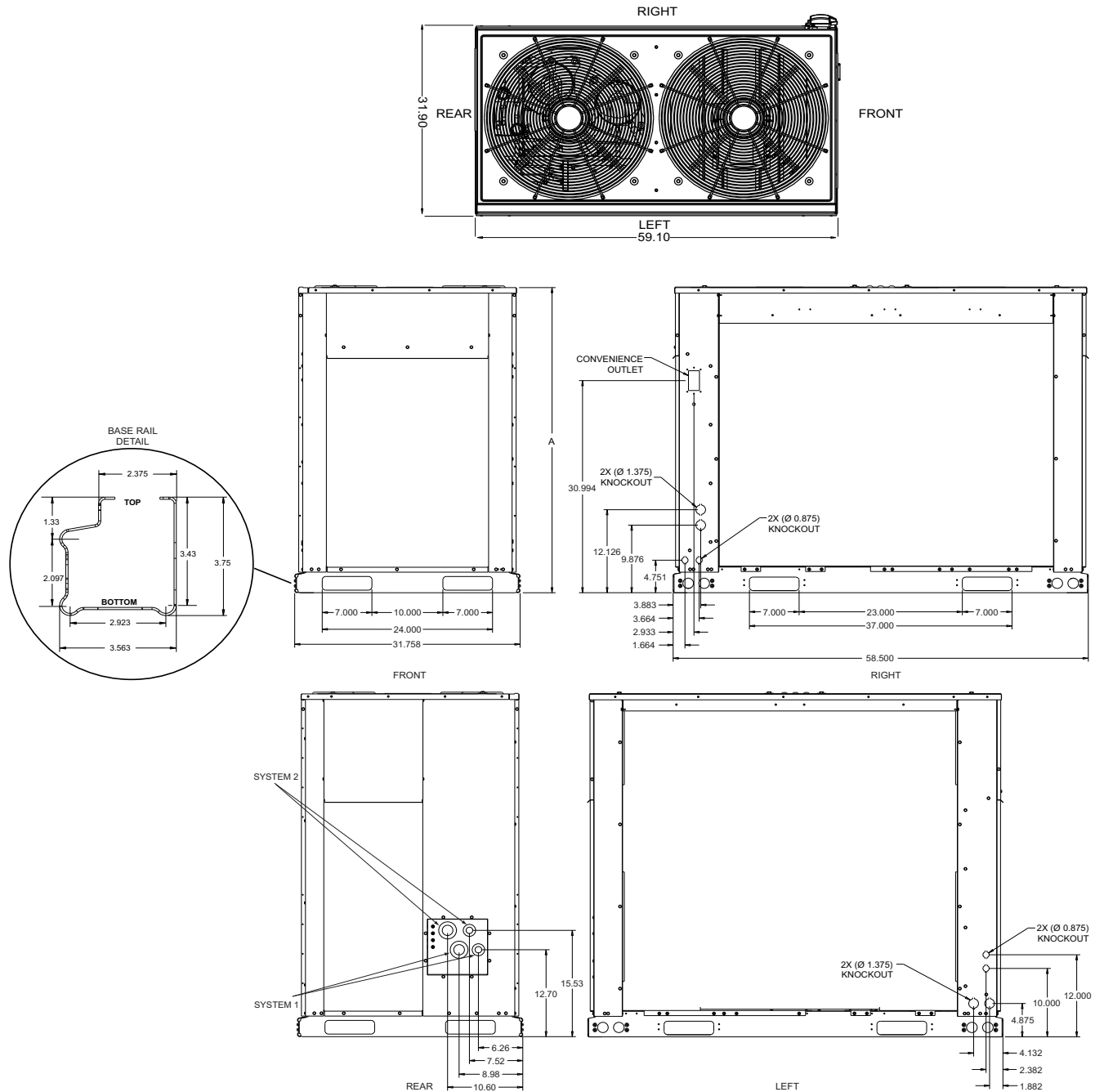
CORNER WEIGHTS & CENTER OF GRAVITY

Size (Tons)	Model	Weight (lbs.)		Center of Gravity (in.)		4 Point Load Location (lbs.)			
		Shipping	Operating	X	Y	A	B	C	D
-07 (7.5)	YH-07	390	387	17	32.3	99	113	94	82
-10 (10)	YH-10	499	497	17.3	32.3	124	147	122	103
	YJ-10	493	490	17.4	32.5	123	147	120	100
-12 (12.5)	YH-12	499	497	17	32.3	127	145	120	105
	YJ-12	493	490	17.4	32.5	123	147	120	100
-15 (15)	YH-15	914	909	32.5	31.5	239	246	215	209
	YJ-15	899	894	32.5	31.5	235	242	212	206
-20 (20)	YH-20	945	942	30.3	31.0	261	234	212	236
	YJ-20	930	927	32.7	31.8	244	255	218	210
-25 (25)	YH-25	945	942	30.3	31.0	261	234	212	236



UNIT DIMENSIONS

YH-07, YH/YJ-10, YH/YJ-12



***See UNIT HEIGHT DIMENSIONS, PIPING AND ELECTRICAL CONNECTIONS SIZES (next page)**

UNIT HEIGHT DIMENSIONS (INCHES)

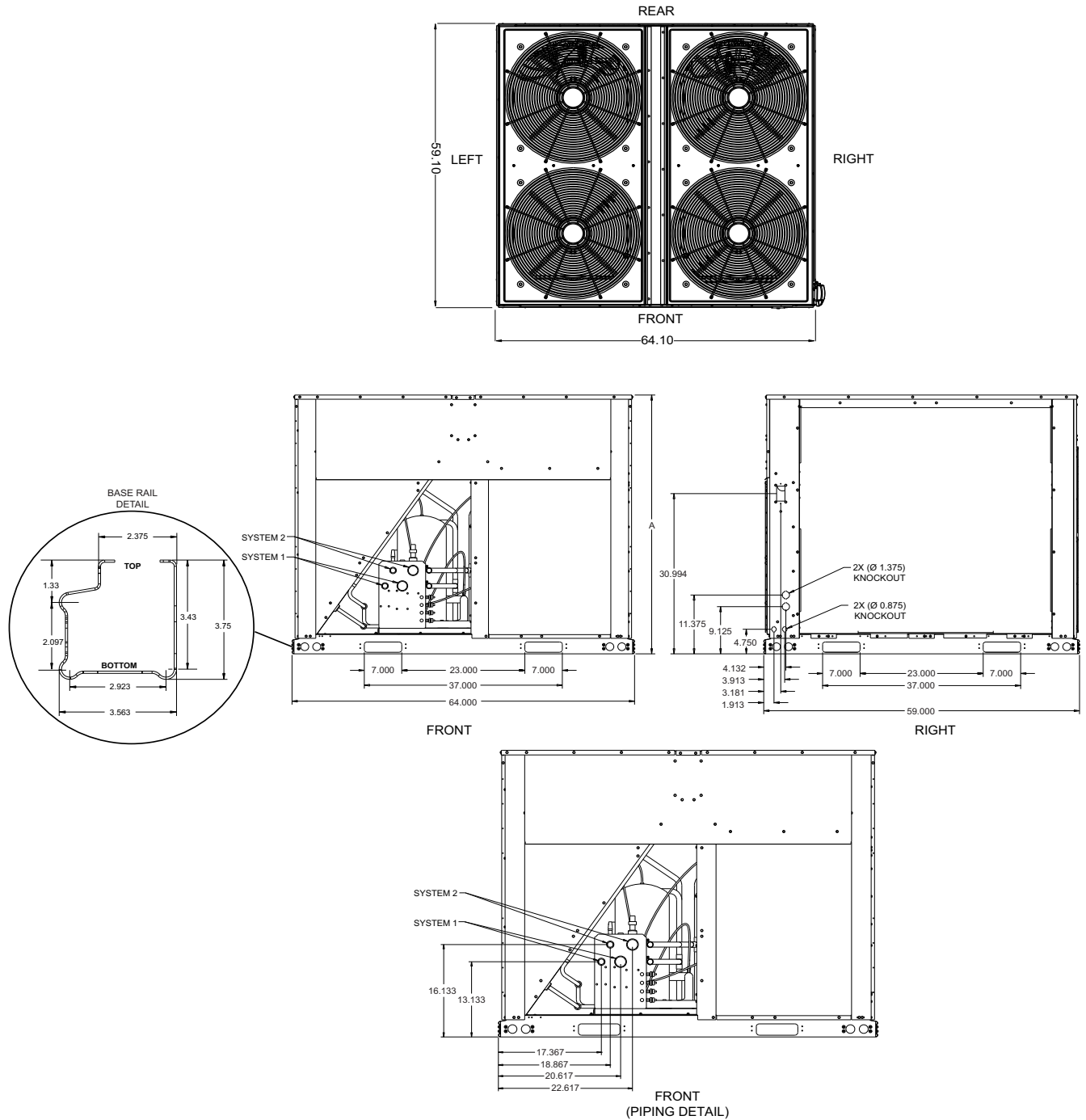
MODEL	A
YH-07	44.5
YH-10	50.0
YJ-10	50.0
YH-12	50.0
YJ-12	50.0

PIPING AND ELECTRICAL CONNECTIONS SIZES (INCHES)

MODEL	YH-07	YH-10	YJ-10	YH-12	YJ-12
No. Refrigeration Circuits	1	1	2	1	2
Suction Line OD (in.)	1 1/8	1 3/8	1 1/8	1 3/8	1 1/8
Liquid Line OD (in.)	5/8	7/8	5/8	7/8	5/8
Power Wiring Knockout	1 3/8	1 3/8	1 3/8	1 3/8	1 3/8
Control Wiring Knockout	7/8	7/8	7/8	7/8	7/8

UNIT DIMENSIONS

YH/YJ-15, YH/YJ-20 & YH-25



***See UNIT HEIGHT DIMENSIONS, PIPING AND ELECTRICAL CONNECTIONS SIZES (next page)**

UNIT HEIGHT DIMENSIONS (INCHES)

MODEL	A
YH-15	44.5
YJ-15	44.5
YH-20	50.0
YJ-20	50.0
YH-25	50.0

PIPING AND ELECTRICAL CONNECTIONS SIZES (INCHES)

MODEL	YH-15	YJ-15	YH-20	YJ-20	YH-25
No. Refrigeration Circuits	1	2	1	2	1
Suction Line OD (in.)	1 5/8	1 3/8	1 5/8	1 3/8	1 5/8
Liquid Line OD (in.)	7/8	5/8	7/8	5/8	7/8
Power Wiring Knockout	1 3/8	1 3/8	1 3/8	1 3/8	1 3/8
Control Wiring Knockout	7/8	7/8	7/8	7/8	7/8

MINIMUM CLEARANCES

CLEARANCE DESCRIPTION	DISTANCE IN INCHES
Overhead (Top)	120
Front	36
Rear	36
Left Side	30
Right Side	30
Bottom ¹	0

1. In all installations where snow accumulates and winter operation is expected, additional height must be provided to insure normal condenser airflow.

FACTORY-INSTALLED OPTIONS

- DISCONNECT -----
- NON-POWERED CONV. OUTLET-----
- POWERED CONV. OUTLET -----
- PHASE MONITOR -----
- COIL GUARD -----
- LOW AMBIENT TO 0°-----
- TECHNICOATED COIL-----
- E-COAT COIL -----

FIELD-INSTALLED ACCESSORIES

- COIL GUARD -----
- HAIL GUARD -----
- LOW AMBIENT KIT-----
- HOT GAS BYPASS KIT-----

MATCHING AIR SIDE EQUIPMENT DATA

MODEL NUMBER _____
 SUBMITTAL FORM NUMBER _____

REFER TO UNIT TECHNICAL GUIDE FOR THE LIST OF STANDARD FEATURES

ATTACHED NOT ATTACHED

NOTES:
