

SUBMITTAL DATA SHEET

**SPLIT-SYSTEM HEAT PUMP UNITS
7.5 - 20 TONS**

**MODELS: PH-07 thru -20, 2-PIPE
PJ-15 thru -20, 4-PIPE**



JOB NAME:		LOCATION:		
PURCHASER:		ORDER NO:		
ENGINEER:				
SUBMITTED TO:	FOR:	REF:	APPROVAL:	CONSTRUCTION:
SUBMITTED BY:		DATE:		
UNIT DESIGNATION:		SCHEDULE NO.	MODEL NO.	

COOLING PERFORMANCE

TOTAL CAPACITY----- MBH
 OUTDOOR DESIGN TMP. °F
 SUCTION PRESSURE AT SATURATION ----- PSIG
 SUCTION TEMPERATURE AT SATURATION ----- °F

HEATING PERFORMANCE

TOTAL CAPACITY----- MBH
 MIN. OUTDOOR DESIGN TMP ---- °F DB
 POWER INPUT REQ. KW

ELECTRICAL DATA

POWER SUPPLY----- / /
 TOTAL UNIT AMPACITY ----- AMPS
 POWER INPUT REQ. KW
 MINIMUM WIRE SIZE----- AWG
 (COPPER CONDUCTORS)
 MAXIMUM FUSE SIZE ----- AMPS
 (DUAL ELEMENT)

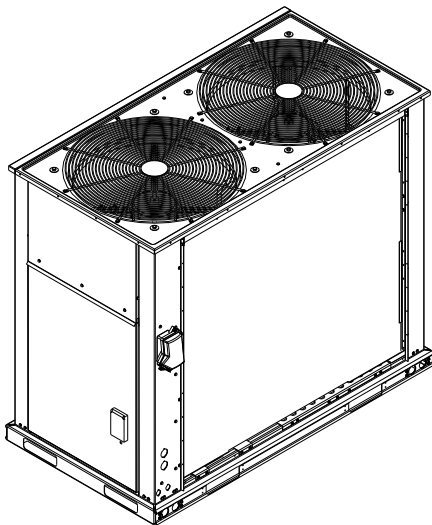
UNIT WEIGHT

TOTAL OPERATING WEIGHT ----- LBS

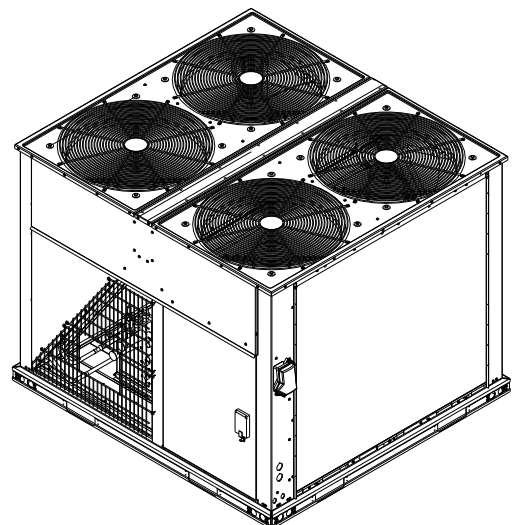
FEATURES

- EXCEEDS ASHRAE 90.1-2004 / MEETS EPACT 2010 EFFICIENCY*
- SIMPLICITY® SMART EQUIPMENT (SSE) W/COMMUNICATION BACNET MS/TP (PROGRAMMABLE TO MODBUS OR N2 PROTOCOLS)
- R-410A REFRIGERANT
- POWDER PAINT FOR DURABILITY
- WEATHERIZED CASING FOR OUTDOOR USE
- PROPELLER-TYPE CONDENSER FANS
- INHERENTLY PROTECTED FAN MOTORS
- HIGH AND LOW PRESSURE SAFETIES
- SCROLL COMPRESSORS
- CRANKCASE HEATERS & REFRIGERANT ACCUMULATORS
- BACKSEATING SUCTION AND LIQUID LINE SERVICE VALVES
- SINGLE AND DUAL REFRIGERATION CIRCUITS (SINGLE ON PH AND DUAL ON PJ MODELS)
- PROVISIONS FOR HOT GAS BYPASS
- CSA APPROVAL
- ONE YEAR LIMITED PARTS WARRANTY ON COMPLETE UNIT
- FIVE YEAR LIMITED COMPRESSOR WARRANTY
- LIQUID LINE DRIERS (SUPPLIED FOR FIELD INSTALLATION)
- FACTORY INSTALLED DISCONNECT OPTION
- FACTORY INSTALLED POWERED OR NON-POWERED 120V OUTLET OPTION
- FULL PERIMETER BASE RAIL-FORK TRUCK ACCESSIBLE
- CRANE RIGGING PROVISIONS

***WHEN COUPLED WITH MATCHING INDOOR UNIT**



PH-07, PH-10

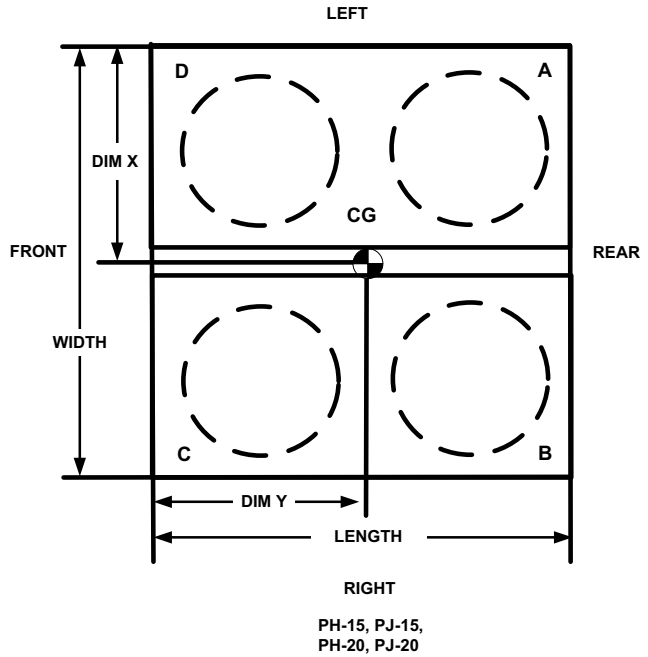
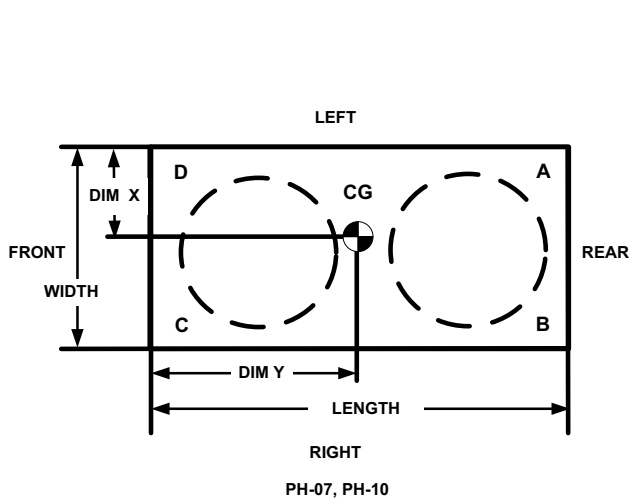


**PH-15, PJ-15,
PH-20, PJ-20**

WEIGHT DISTRIBUTION

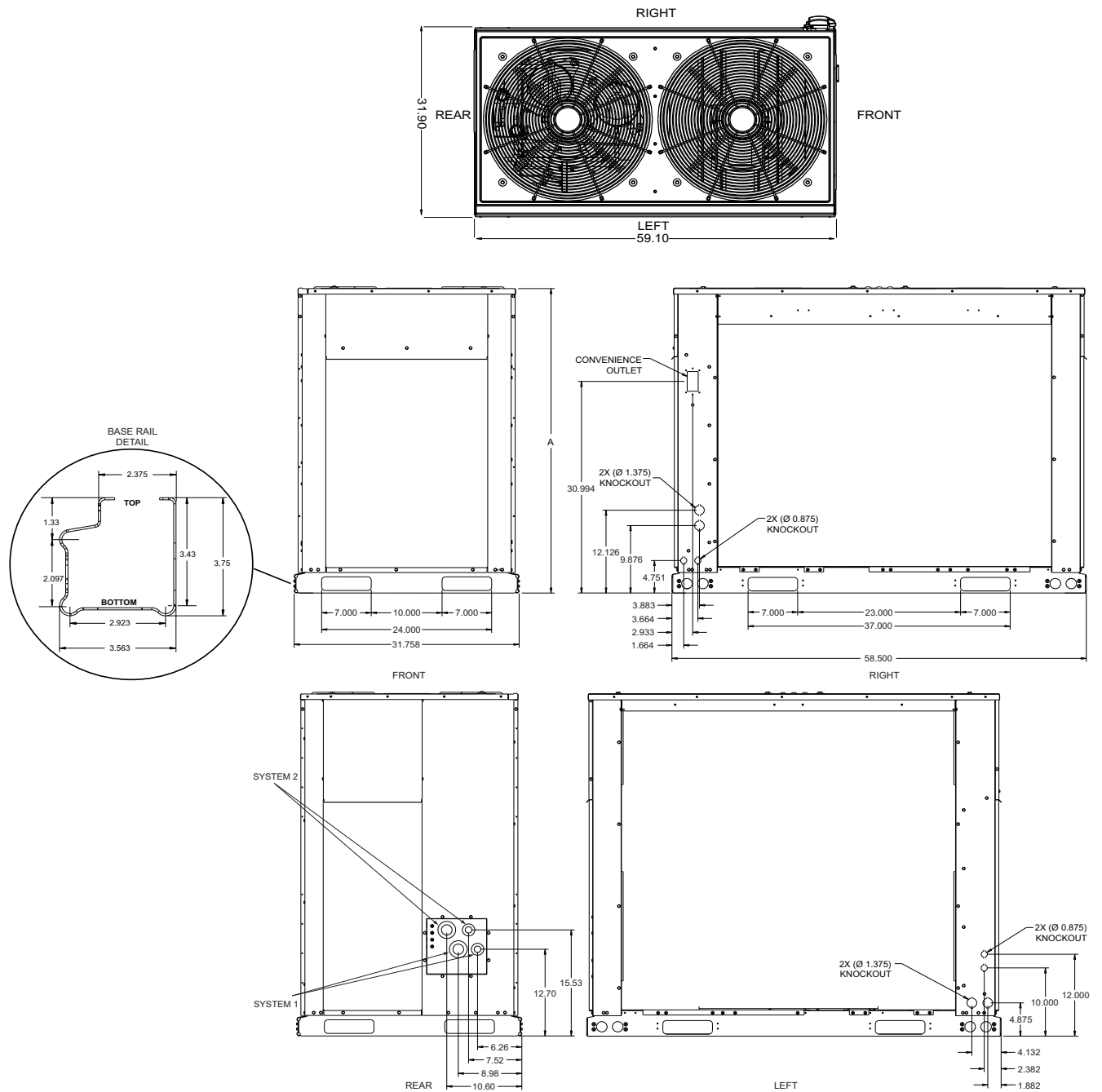
CORNER WEIGHTS & CENTER OF GRAVITY

Model	Weight (lbs.)		Center of Gravity (in.)		4 Point Load Location (lbs.)			
	Shipping	Operating	X	Y	A	B	C	D
PH-07	421	430	17.3	33	110	130	103	87
PH-10	543	574	16.4	32.3	153	161	134	127
PH-15	947	968	32.5	33	266	274	217	211
PJ-15	921	942	34	32.5	243	275	225	199
PH-20	1116	1152	32.1	30.8	300	301	276	275
PJ-20	1090	1126	31.2	31.8	311	295	253	267



UNIT DIMENSIONS

PH-07 & PH-10



***See UNIT HEIGHT DIMENSIONS, PIPING AND ELECTRICAL CONNECTIONS SIZES (next page)**

UNIT HEIGHT DIMENSIONS (INCHES)

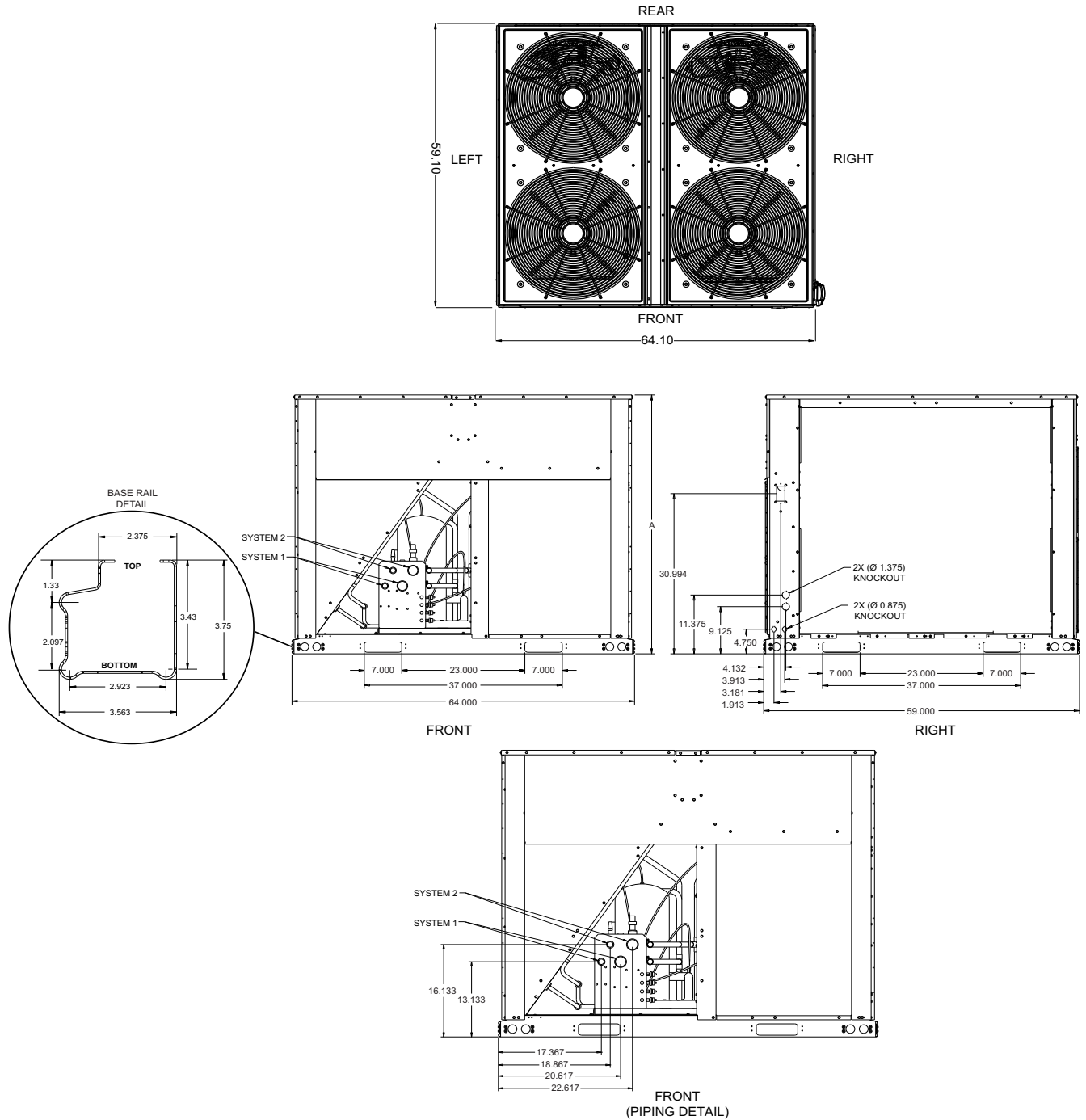
MODEL	A
PH-07	44.5
PH-10	50.0

PIPING AND ELECTRICAL CONNECTIONS SIZES (INCHES)

MODEL	PH-07	PH-10
No. Refrigeration Circuits	1	1
Suction Line OD (in.)	1 1/8	1 3/8
Liquid Line OD (in.)	5/8	7/8
Power Wiring Knockout	1 3/8	1 3/8
Control Wiring Knockout	7/8	7/8

UNIT DIMENSIONS

PH/PJ-15 & PH/PJ-20



***See UNIT HEIGHT DIMENSIONS, PIPING AND ELECTRICAL CONNECTIONS SIZES (next page)**

UNIT HEIGHT DIMENSIONS (INCHES)

MODEL	A
PH-15	44.5
PJ-15	44.5
PH-20	50.0
PJ-20	50.0

PIPING AND ELECTRICAL CONNECTIONS SIZES (INCHES)

MODEL	PH-15	PJ-15	PH-20	PJ-20
No. Refrigeration Circuits	1	2	1	2
Suction Line OD (in.)	1 5/8	1 3/8	1 5/8	1 3/8
Liquid Line OD (in.)	7/8	5/8	7/8	5/8
Power Wiring Knockout	1 3/8	1 3/8	1 3/8	1 3/8
Control Wiring Knockout	7/8	7/8	7/8	7/8

MINIMUM CLEARANCES

CLEARANCE DESCRIPTION	DISTANCE IN INCHES
Overhead (Top)	120
Front	36
Rear	36
Left Side	30
Right Side	30
Bottom ¹	0

1. In all installations where snow accumulates and winter operation is expected, additional height must be provided to insure normal condenser airflow.

FACTORY-INSTALLED OPTIONS

- DISCONNECT -----
- NON-POWERED CONV. OUTLET-----
- POWERED CONV. OUTLET -----
- PHASE MONITOR -----
- COIL GUARD -----
- TECHNICOATED COIL-----
- E-COAT COIL -----

FIELD-INSTALLED ACCESSORIES

- COIL GUARD -----
- HAIL GUARD -----
- HOT GAS BYPASS KIT-----

MATCHING AIR SIDE EQUIPMENT DATA

MODEL NUMBER _____
 SUBMITTAL FORM NUMBER _____

REFER TO UNIT TECHNICAL GUIDE FOR THE LIST OF STANDARD FEATURES

ATTACHED **NOT ATTACHED**

NOTES:

Subject to change without notice. Printed in U.S.A.
 Copyright © 2014 by Johnson Controls, Inc. All rights reserved.

506441-FSD-G-1114
 Supersedes: 506441-FSD-F-0912

York International Corporation
5005 York Drive
Norman, OK 73069